

INSTALLATION INSTRUCTIONS

Important information

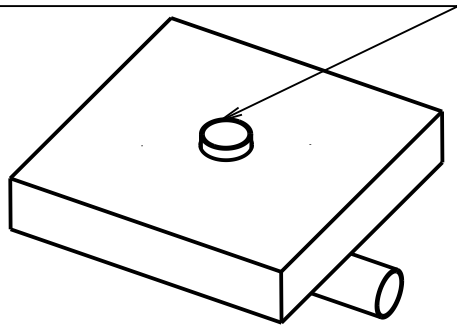
- * This product must be installed by a licensed tradesperson.
- * A puddle flange may be required depending on the waterproofing method and local plumbing regulations.
- * This is a general guide. Installation must follow the waterproofing requirements as specified in AS3740.

Care instructions

- **DO NOT USE** abrasive cleaning pads, cream or citrus-based cleaners
- Damage from improper cleaning & handling is not covered by warranty

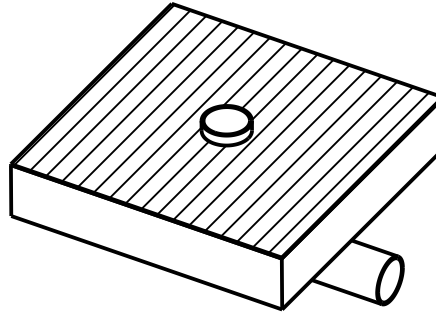
Step 1

Waste pipe protrudes through the base floor material.



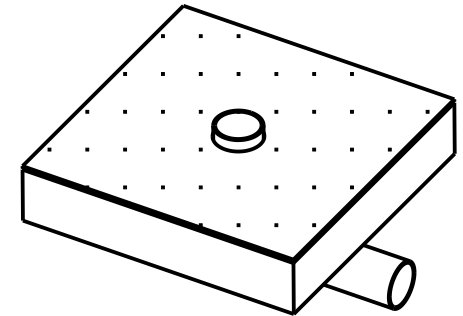
Step 2

Apply waterproofing layer up to the pipe penetration.



Step 3

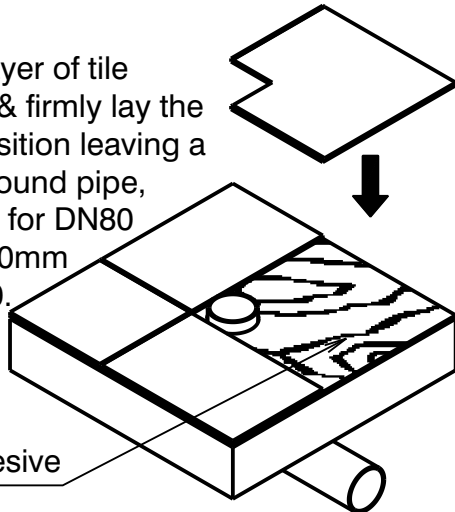
Apply a screed layer & form screed falls toward the floor waste.



Step 4

Apply a layer of tile adhesive & firmly lay the tiles in position leaving a square around pipe, 88x88mm for DN80 & 110X110mm for DN100.

Tile adhesive

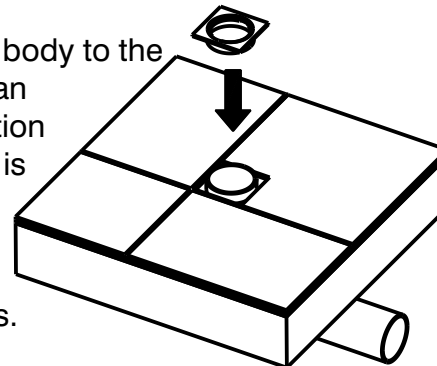


Step 5

Cut PVC pipe 3mm below tile finish face.

Fit the floor waste body to the waste pipe using an approved connection method. Ensure it is aligned level with the tile surface.

Apply grout to tiles.



Step 6

Place the grate and turn clockwise until it locks into position.

